

Small Gathered Bag

Cut

Band: 4 ½ x 16 — 2 from fabric 2 from heavy weight fusible interfacing

Bag: 20 x 36 — 1 from fabric and 1 light weight interfacing

Lining: 16 x 26 — 1 from fabric and 1 fusible fleece

Pocket: 10 ½ x 16 — 1 from fabric

Pocket fusible fleece: 5 x 16—cut 1

Handles: 2 ½ x WOF — cut in half to create 2 handle pieces

Binding: 2 ½ x WOF (you'll only need about 18 inches)

Loop for button: 1 ½ x 9 inches

Bows: 5 ½ x 11 inches — cut 2 from fabric

Bow loops: 2 ½ x 4½ — cut 2

Handles: Cut from 1 inch cording 2—13 inch lengths

Step One: Fuse band interfacing to band pieces making sure that you fuse to wrong side of fabric. Fuse lining to fleece and bag to interfacing making sure you fuse to wrong side of fabric.

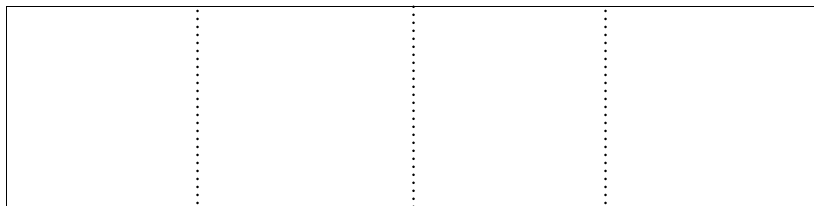
Step Two: fold **pocket** in half lengthwise and iron. Using the folded line place fusible fleece along mark and fuse in place making sure that fleece is fused to wrong side of fabric.

Step Three: Fold bow loops in half lengthwise and sew ¼ inch and turn right side out. Roll seam to middle and press flat. Fold loop in half making sure the seam is folded to the inside of the loop. Sew across the raw edge a 1/4 inch. Set aside.

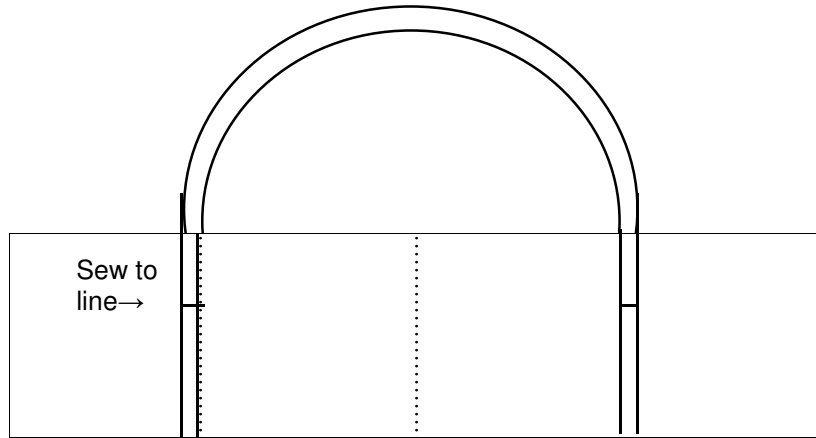
Step Four: Fold handle fabric in half right sides together and sew 4 ¾ from one end and then sew 4¾ from other end leaving an opening in the middle. Turn right side out. Position seam to center and press flat. This way the seam will be hidden when sewn onto the band.



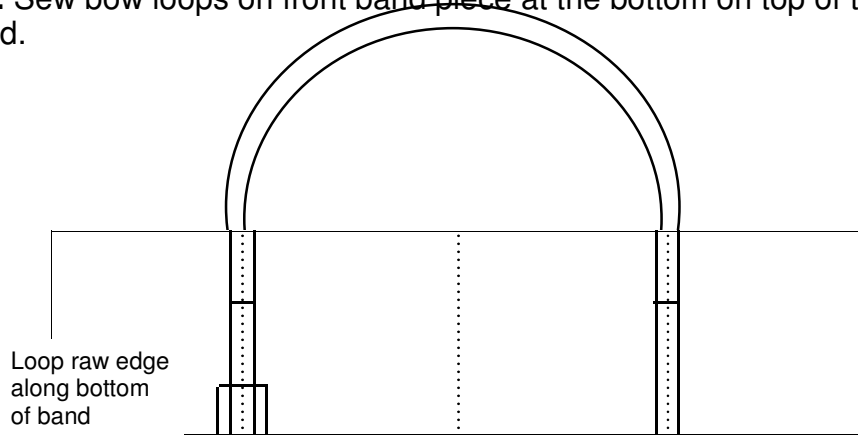
Step Five: Fold band fabric in half and press a marking line down center. Open back up and fold right edge of fabric to center and press a marking line. Repeat on left side. Do this to both band sections.



Step Six: Place the sewn portion of the handles over the outer lines you've just marked on band fabric. Pin in place. Measuring from bottom of band on the handle mark at 2 ½ inches. When you sew stop at that mark and sew across handle backstitching across a few times to add depth and strength.



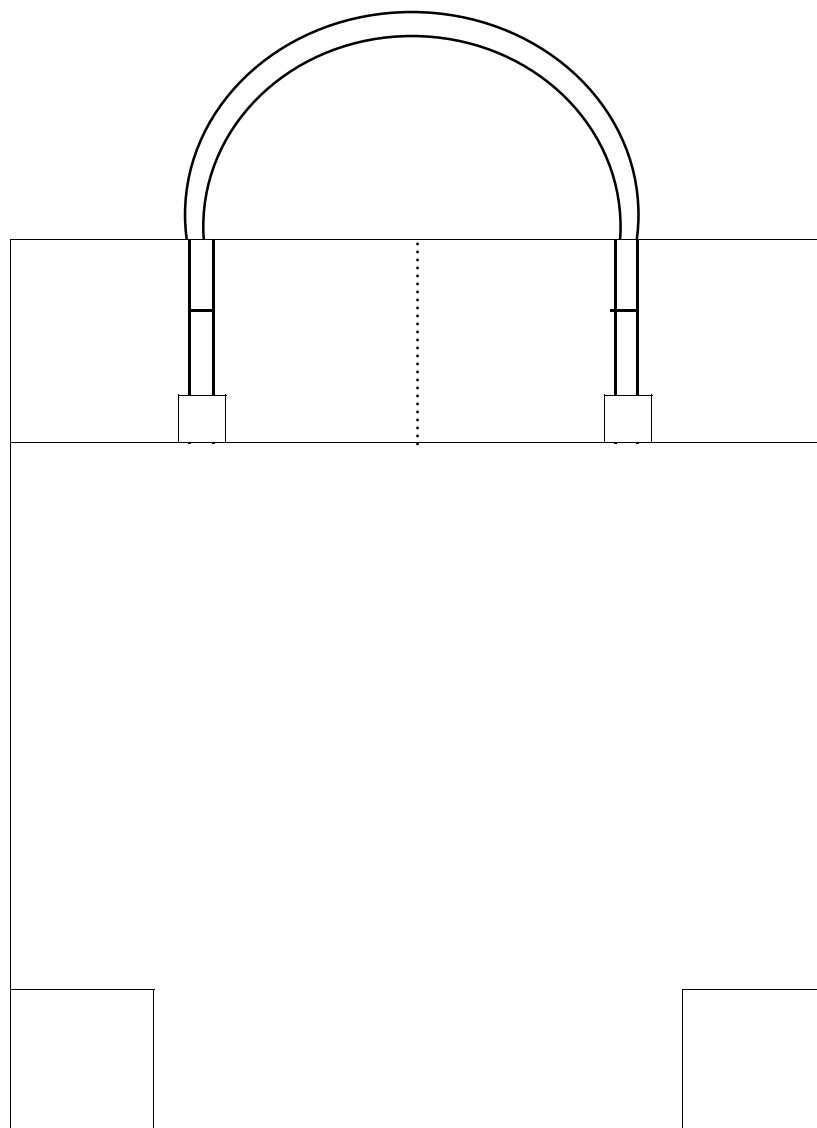
Step Seven: Sew bow loops on front band piece at the bottom on top of the handles just sewn onto the band.



Step Eight: Sew a gathering stitch long both sides of the bag fabric starting about an inch from each end and stopping about an inch before on both ends. Tie a knot on one end and gather to fit band. Pin bag to band right sides together and sew in place. **Seam allowance for this portion is ½ inch**

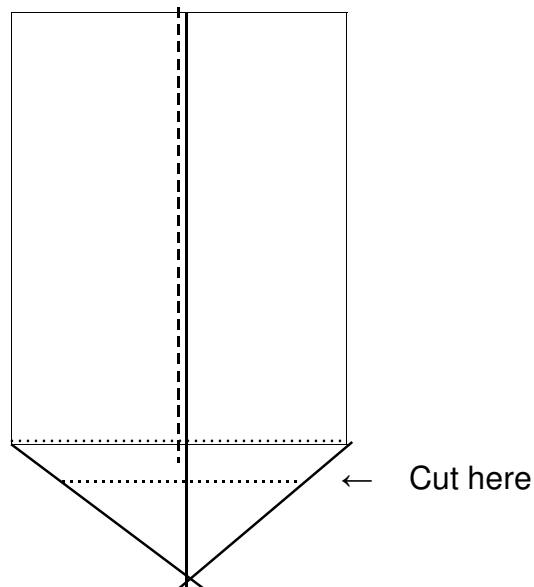


Step Nine: Sew side seams—**seam allowance is a ½**. Using a pencil or pen mark on inside of bag a square 2 ½ inches from bottom and sides. Do this on both corners and on both sides of bag.

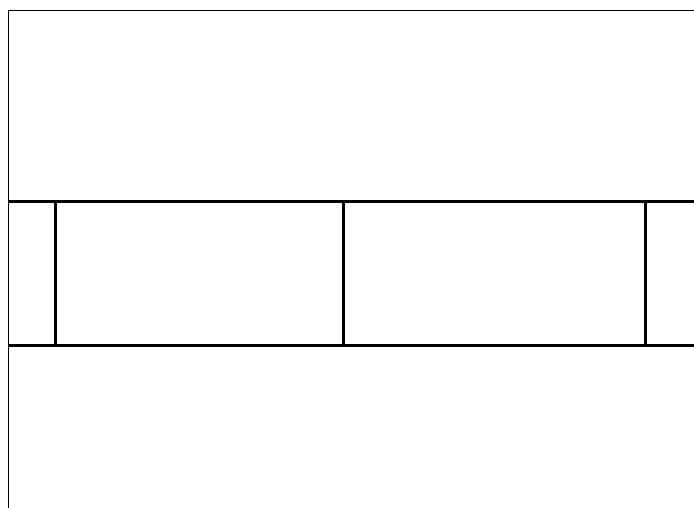


Step Ten: Open bag side to form a point in the bottom corner. Match up the lines from the squares and sew across line. Trim off tip of the bag about ½ inch from stitched line. Repeat on other side of bag.

Now sew a gathering stitch close to but not on the seam running down the side of the bag, do not sew gathering stitch into band portion. Gather side seams leaving one end untied to adjust when you put lining into the bag.



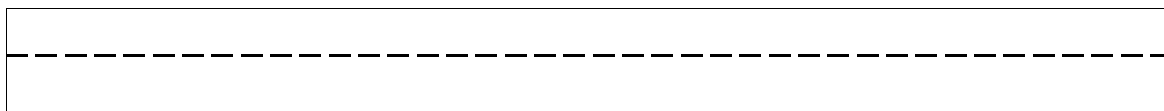
Step Eleven: Fold lining in half fabric facing out. Measure from bottom of bag about 5 inches. Mark a line across in either pencil or pen. Pin pocket piece raw edges facing toward the top of the bag. Sew across 1/4 inch. Fold up and press. Mark 2½ inches on both sides of pocket and in center. Stitch along those lines to form pockets.



Step Twelve: Fold lining right sides together and sew side seams—**seam allowance is a 1/2 inch.** Repeat step nine drawing a 2½ inch square on wrong side of fabric on both corners and on both sides of the lining. Next you will box the corners as was done to the bag, but you will not need a gathering stitch for the lining.

Step Thirteen: Turn bag right side out and fit lining into bag. Make sure that lining fits properly and tie off gathering threads on inside of bag. Pin lining to bag and sew around top—**seam allowance is ½ inch.** I like to place the pocket side of the lining on the backside of the bag but either way is fine.

Step Fourteen: Almost done! Sew button loop on the outside, center back of band. Fold binding in half lengthwise and iron. Then fold one side of binding in half lengthwise to the fold, and iron.



Pin the unfolded side binding on inside of bag. Be sure to fold over the raw end piece. Sew binding in place. Fold binding over the top of bag and pin in place and sew down make sure that button loop is not caught up in binding when sewing.

Step Fifteen: Take a bow fold in half right sides together and sew from one side to the other leaving an opening along the bottom of bow. Turn inside out. Repeat with second bow. Fold in half and press. Sew a gathering seam down the center pressed line. Gather bows, insert bows into bow loops. Tack down loops and tack down the corners of the bow. Mark position for button on front of bag and sew in place. If you want you can make a covered board to place in the bottom of bag. Measure and cut from cardboard, either sew a sleeve to fit or glue fabric onto cardboard bottom.

